



HEATER BASE

FUNCTION

The Heater Base is designed to be used in cold climates where environmental conditions could result in either icing or condensation affecting the operation of detectors. Heater bases limit the risk of potential damage or loss of functionality caused to detectors installed in these conditions.

DESCRIPTION

The heater base has been designed to raise the chamber temperature of the detector, which is fitted to it, by approximately 10°C. Two heater bases are available, one for use with Orbis detectors, ORB-HB-00020-APO and one for use with Apollo's ranges of addressable detectors, 45681-219.

FEATURES AND APPLICATIONS

The heater base contains an array of high powered resistors which increase the chamber temperature of a detector fitted to the heater base by approximately 10°C.

It is recommended that the heater base be used in conjunction with either a waterproof base cover, part number 45681-519, or a deckhead mounting box, part number 29600-196. The use of these accessories will reduce the risk of moisture ingress.



Part nos 45681-219 (Addressable — pictured above with waterproof base cover)
ORB-HB-00020-APO (Orbis)

TECHNICAL DATA

	Addressable	Orbis
Resistance	240Ω	300Ω
Voltage	28V	28V
Current at 24V	125mA	100mA
Power at 24V	3.3W	2.6W
Operating Temp.	-30°C to +40°C	-40°C to +50°C

Note: It is recommended that the heater base supply be controlled by a suitable commercially available thermostatic switch for environments that exceed an ambient temperature of 20°C



INVESTOR IN PEOPLE



A HALMA COMPANY

© Apollo Fire Detectors Limited 2008

Overseas offices:

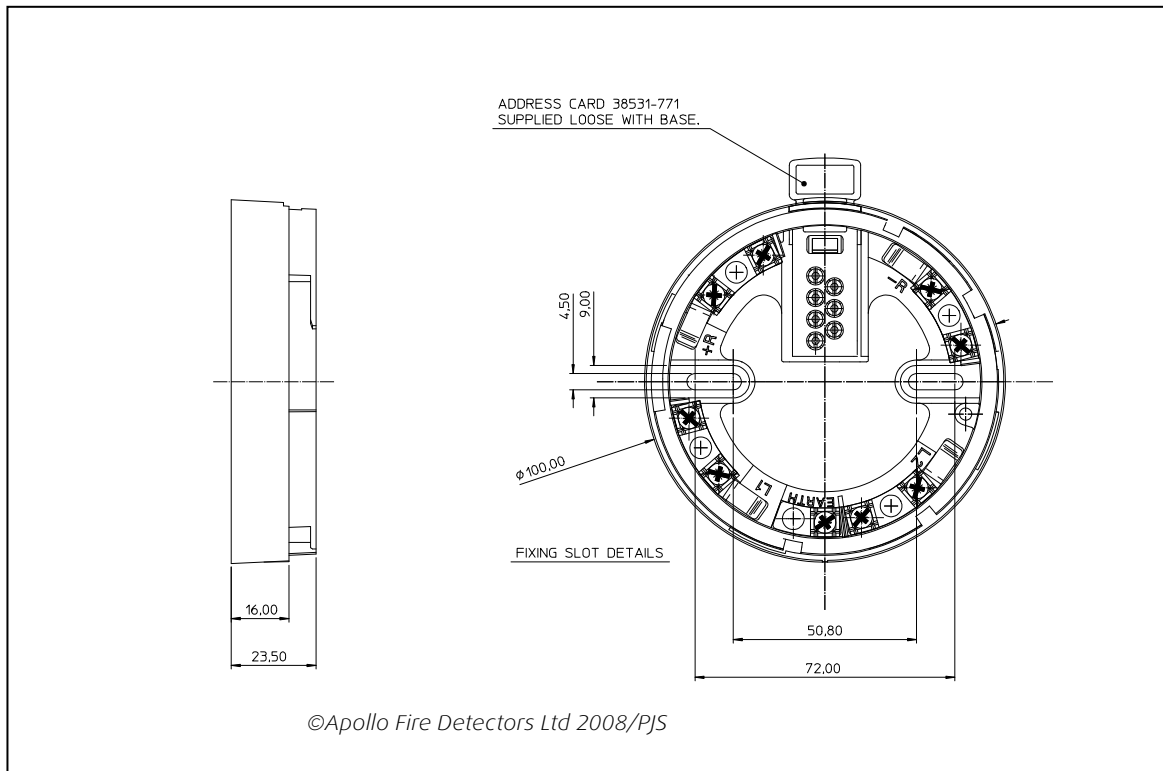
America | China | Germany | Ireland | Spain

36 Brookside Road, Havant,
Hampshire, PO9 1JR, UK.

Tel: +44 (0)23 9249 2412
Fax: +44 (0)23 9249 2754

Email: sales@apollo-fire.co.uk
Web: www.apollo-fire.co.uk

Addressable Heater Base Dimensional Diagram



Orbis Heater Base Dimensional Diagram

